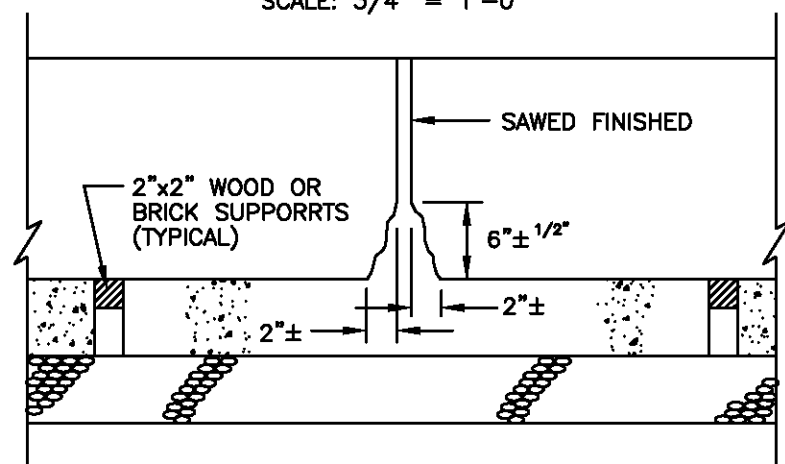
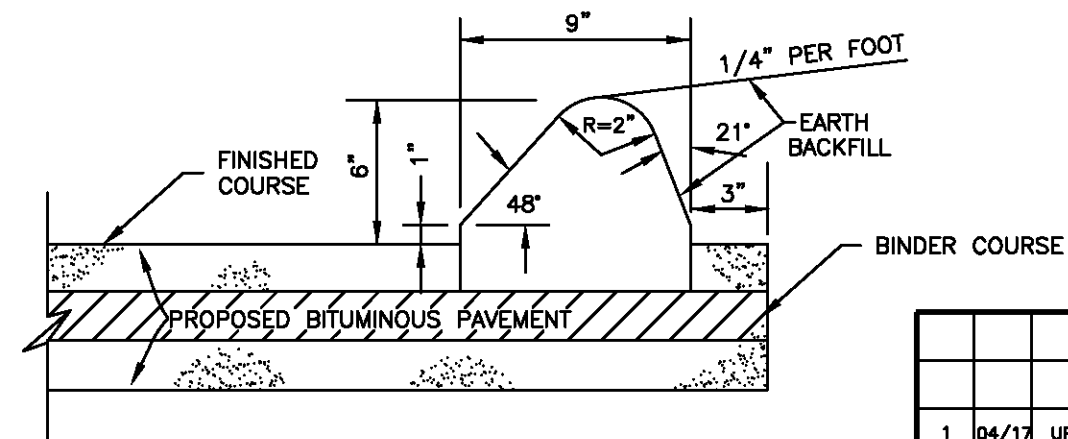


GRANITE STONE CURB

SCALE: 3/4" = 1'-0"

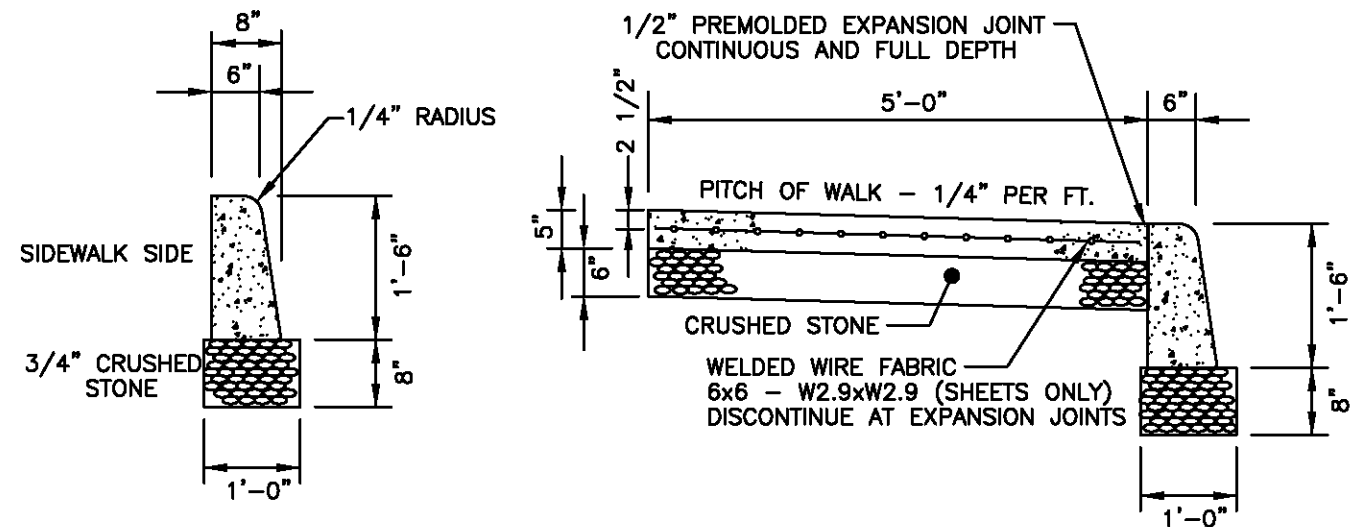


SECTION A-A



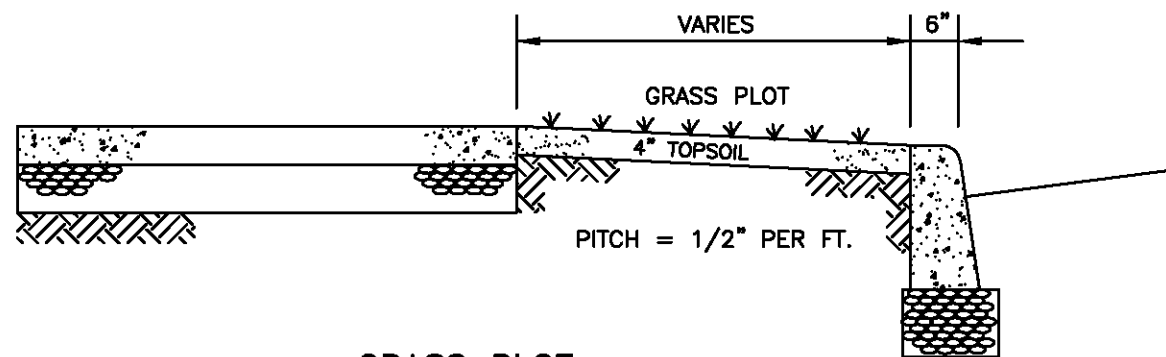
BITUMINOUS CONCRETE LIP CURBING

MACHINED FORMED



STANDARD CURB & SIDEWALK

SCALE: 1/2" = 1'-0"



GRASS PLOT

NOTE: A 1/8" STEEL DIVISION PLATE SHALL BE PLACED AT EVERY 10 FEET OF CURBING & REMOVED AFTER CONCRETE HAS SET, A 1/2" APPROVED BITUMINOUS JOINT SHALL BE PLACED AT A MAX. OF EVERY 20 FEET COINCIDING WITH EXPANSION JOINT IN SIDEWALK

CONTRACTOR TO CONSTRUCT 2" BATTER ON CONCRETE CURBING (STREET SIDE ONLY)

NOTES:

1. ALL REINFORCING SHALL BE SUPPORTED ON CHAIRS OR OTHER POSITIVE TYPE SUPPORTS APPROXIMATELY ONE PER 25 SQ.FT.
2. CONCRETE SHALL BE CLASS "C" CEMENT TYPE II, 3000 PSI
3. AIR ENTRAINMENT SHALL BE BETWEEN 6 - 7%.

NO.	DATE	DESCRIPTION	CK.
1	04/17	UPDATED DETAILS	FS
REVISIONS			

TOWN OF TRUMBULL

ENGINEERING DEPARTMENT

SKETCHES & CALCULATIONS

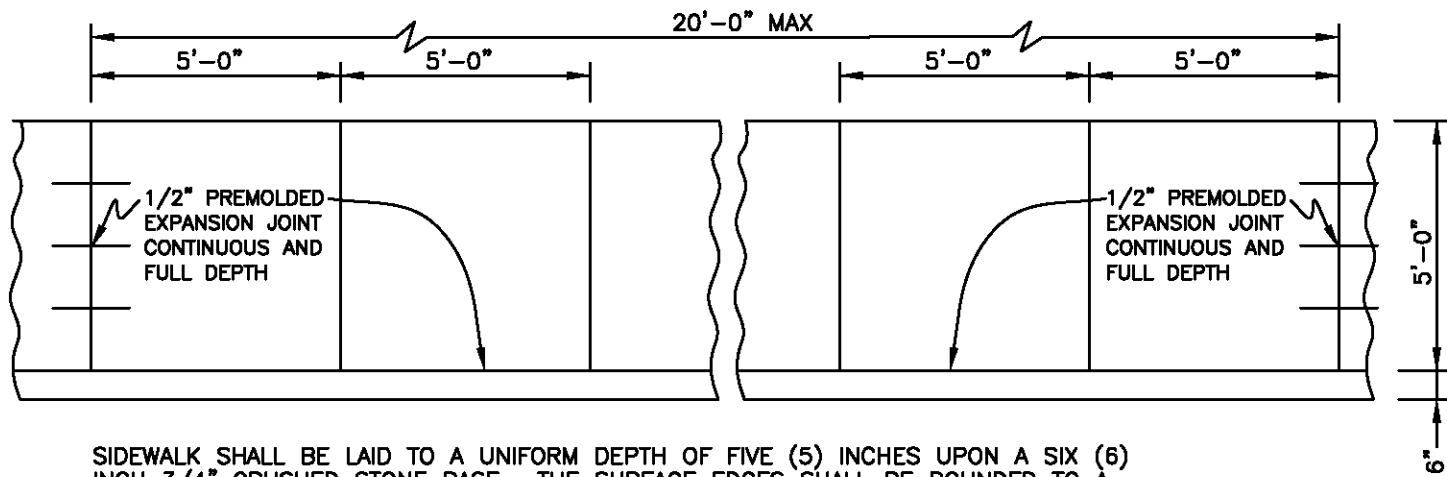
Project No. & Name STANDARDS

Subject SIDEWALKS & CURBING

Made by FMS Date 8/13/14

Chk. by FMS Date 8/13/14

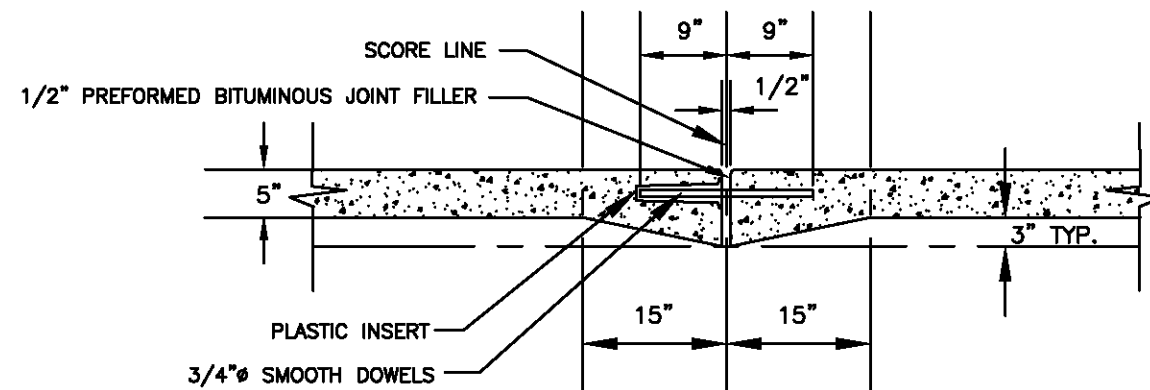
SW-1 Sheet No. 1 of 2



SIDEWALK SHALL BE LAID TO A UNIFORM DEPTH OF FIVE (5) INCHES UPON A SIX (6) INCH 3/4" CRUSHED STONE BASE. THE SURFACE EDGES SHALL BE ROUNDED TO A RADIUS OF 3/32 INCH. A 1/2" APPROVED BITUMINOUS JOINT SHALL BE PLACED TRANSVERSELY EVERY 20 FT. MAX. AND BETWEEN NEW CONCRETE CURBING AND SIDEWALKS. A CONTROL JOINT SHALL BE MADE AT 5' INTERVALS BETWEEN BITUMINOUS JOINTS. ANY CHANGES REQUIRED BY LOCAL CONDITIONS SHALL BE MADE ONLY BY ORDER OF THE CITY ENGINEER. CONTROL JOINTS SHALL BE A MIN. DEPTH OF 1" OR D/4

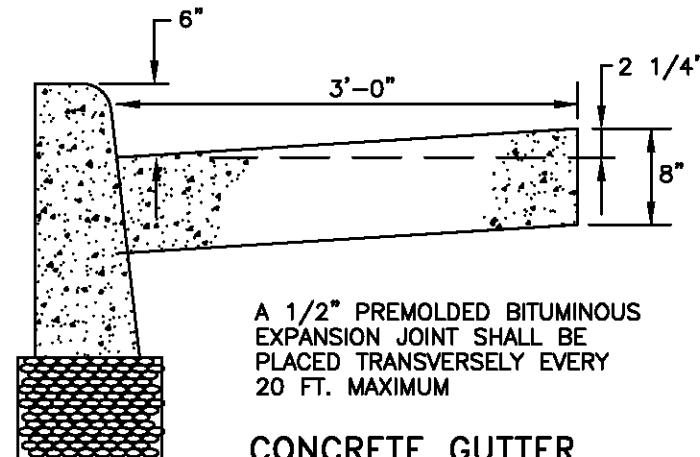
PLAN OF A SECTION OF CONCRETE SIDEWALK

SCALE: 1/4" = 1'-0"



PREMOULDED EXPANSION JOINT DETAIL

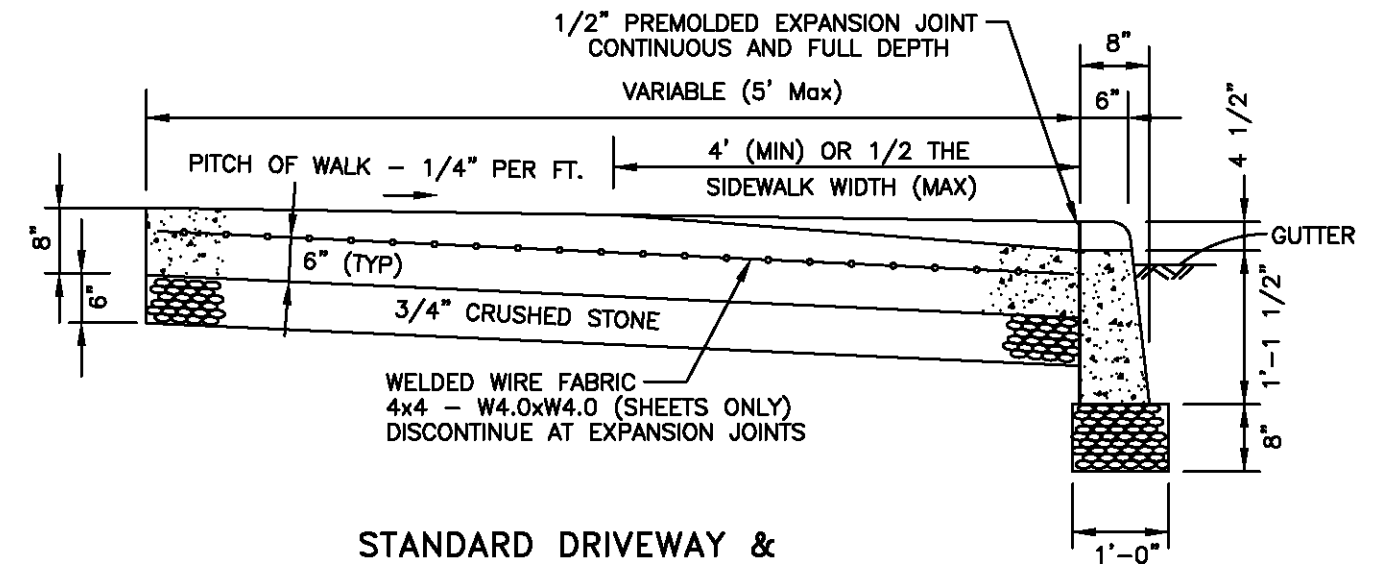
SCALE: 1/2" = 1'-0"



A 1/2" PREMOLDED BITUMINOUS EXPANSION JOINT SHALL BE PLACED TRANSVERSELY EVERY 20 FT. MAXIMUM

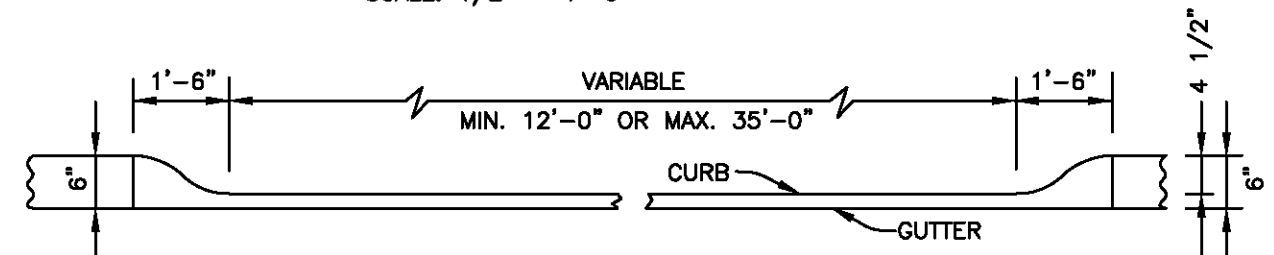
CONCRETE GUTTER

SCALE: 3/4" = 1'-0"



STANDARD DRIVEWAY & HEAVY DUTY DRIVEWAY

SCALE: 1/2" = 1'-0"



TYPICAL CONSTRUCTION OF CURB AT DRIVEWAY

SCALE: 1/2" = 1'-0"

GENERAL NOTES:

1. ALL REINFORCING SHALL BE SUPPORTED ON CHAIRS OR OTHER POSITIVE TYPE SUPPORTS APPROXIMATELY ONE PER 25 SQ.FT.
2. CONCRETE SHALL BE CLASS "C" CEMENT TYPE II, 3000 PSI
3. AIR ENTRAINMENT SHALL BE BETWEEN 6 - 7%.
4. A 1/2" PREMOLDED EXPANSION JOINT SHALL BE UTILIZED BETWEEN ALL RIGID STRUCTURES INCLUDING WALLS AND NEW SIDEWALK WORK.
5. ADDITIONAL CONTROL JOINTS SHALL BE PLACED AS REQUIRED TO ELIMINATE ANY CONDITION WHICH WILL CAUSE STRESS VERTICES (EXAMPLE AT CORNERS OF STRUCTURES)

NO.	DATE	DESCRIPTION	CK.
1	04/17	EXPANSION JOINT DETAIL	FS
REVISIONS			

TOWN OF TRUMBULL

ENGINEERING

SKETCHES & CALCULATIONS

Project No. & Name STANDARDS

Subject SIDEWALKS & CURBING

Made by FMS Date 8/13/14

Chk. by FMS Date 8/13/14

SW-2 Sheet No. 2 of 2