

**THE TOWN OF TRUMBULL
DEPARTMENT OF PUBLIC WORKS**

**CONTRACT DOCUMENTS FOR
ROOF REPLACEMENT AT**

THE TRUMBULL LIBRARY

**33 QUALITY STREET
TRUMBULL, CONNECTICUT 06611**

**TOWN OF TRUMBULL DEPARTMENT OF PUBLIC WORKS
5866 MAIN STREET
TRUMBULL, CONNECTICUT 06611**

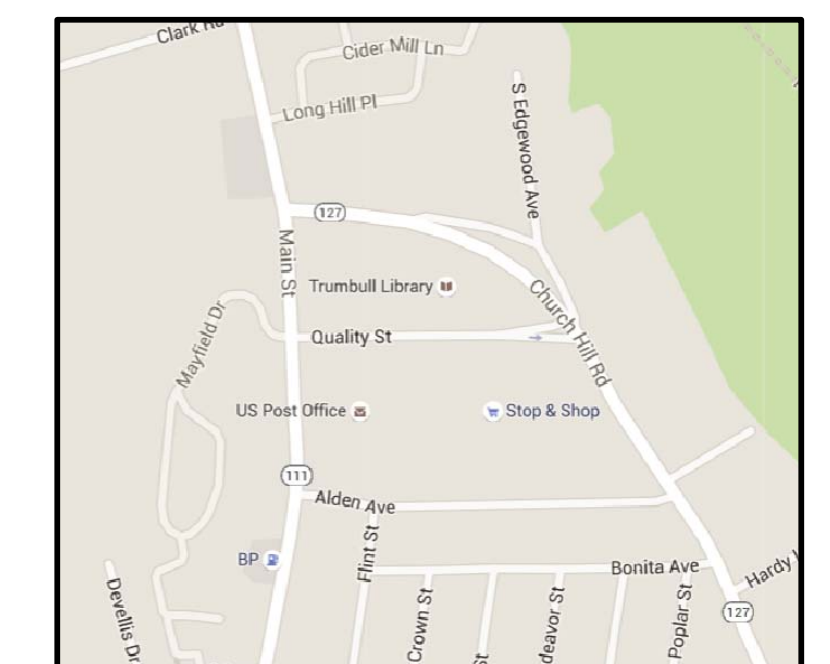
**DEPT OF PUBLIC WORKS DIRECTOR
JOHN MARSILIO**

**JUNE, 2016
SALAMONE
&
ASSOCIATES P.C.
CONSULTING ENGINEERS**

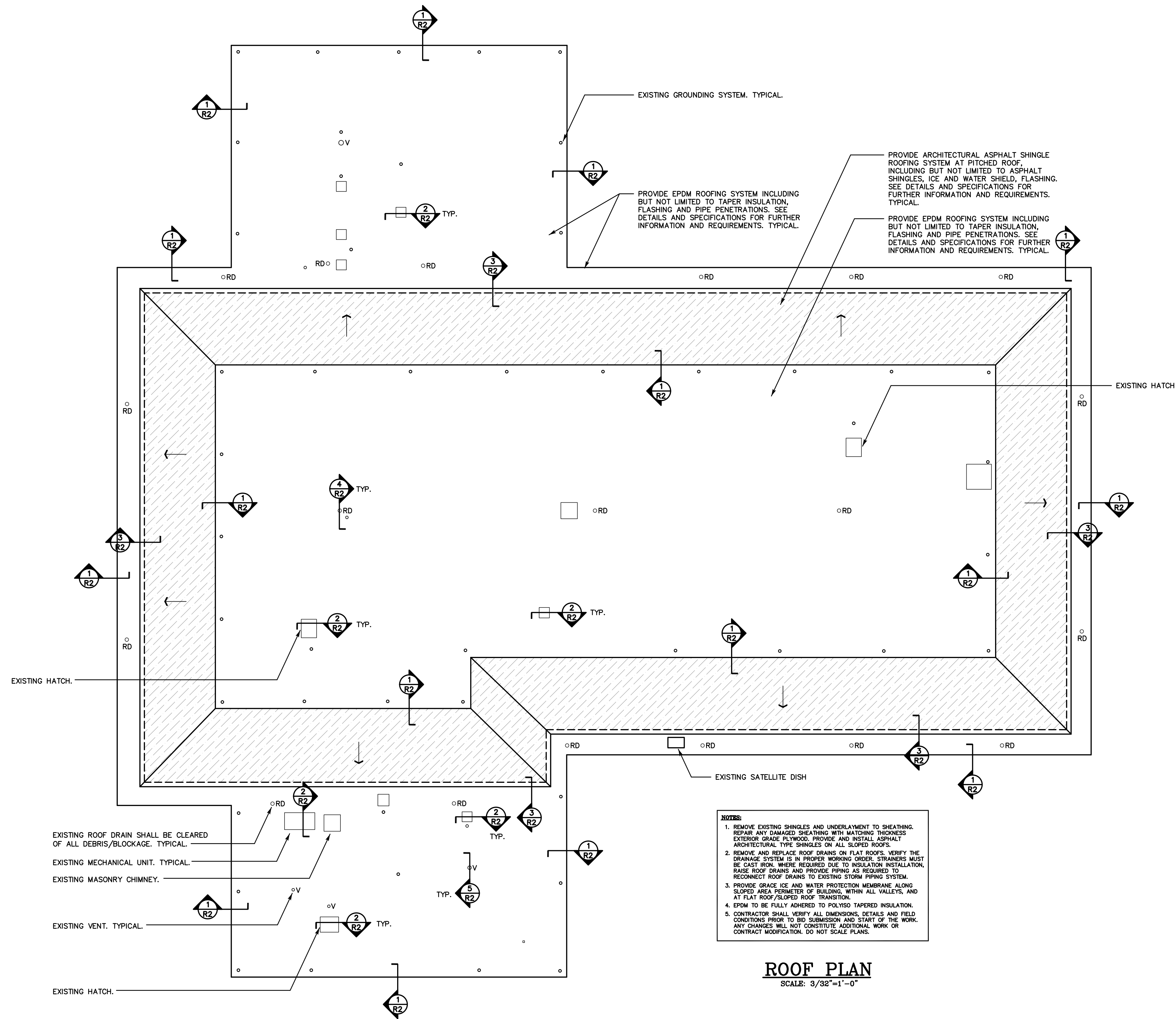
116 North Plains Industrial Road
Wallingford, Connecticut 06492
Phone: (203) 281-6895 Fax: (203) 287-8728

INDEX OF DRAWINGS

DWG	TITLE
D-1	ROOF DEMOLITION PLAN
R-1	PROPOSED ROOF PLAN
R-2	TYPICAL DETAILS
R-3	TAPERED INSULATION PLAN



LOCATION MAP



REVISIONS		
REV.	DESCRIPTION	DATE

CONSULTANT:
SALAMONE & ASSOCIATES, P.C.
 CONSULTING ENGINEERS
 116 North Plains Industrial Road
 Wallingford, Connecticut 06492
 Phone: (203) 281-6896 Fax: (203) 287-8728

DISCLAIMER
 THE INFORMATION INDICATED HERewith IS THE SOLE PROPERTY OF SALAMONE & ASSOCIATES, P.C. AND ANY REPRODUCTION BY ANY METHOD IN PART IS STRICTLY PROHIBITED WITHOUT WRITTEN PERMISSION OF SALAMONE & ASSOCIATES, P.C.

NOTES:

PROJECT TITLE
 CONTRACT DOCUMENTS FOR ROOF REPLACEMENT AT
THE TRUMBULL LIBRARY
 TRUMBULL, CONNECTICUT

DRAWING TITLE
PROPOSED ROOF PLAN

JOB NO.	849 3399.01
PROJECT MANAGER	JAS
ENGINEER/DESIGNER	SJS
DRAWN BY	SJS
SCALE	AS NOTED
DATE	JUNE, 2016
CAD FILE:	TRUMBULL_LIBRARY/R-1

SEAL:

DRAWING NO.
R-1

REVISIONS		
REV.	DESCRIPTION	DATE

CONSULTANT:
SALAMONE & ASSOCIATES, P.C.
 CONSULTING ENGINEERS
 116 North Plains Industrial Road
 Wallingford, Connecticut 06492
 Phone: (203) 281-6896 Fax: (203) 287-8728

DISCLAIMER
 THE INFORMATION INDICATED HERewith IS THE SOLE PROPERTY OF SALAMONE & ASSOCIATES, P.C. AND ANY REPRODUCTION BY ANY METHOD IN PART IS STRICTLY PROHIBITED WITHOUT WRITTEN PERMISSION OF SALAMONE & ASSOCIATES, P.C.

NOTES:

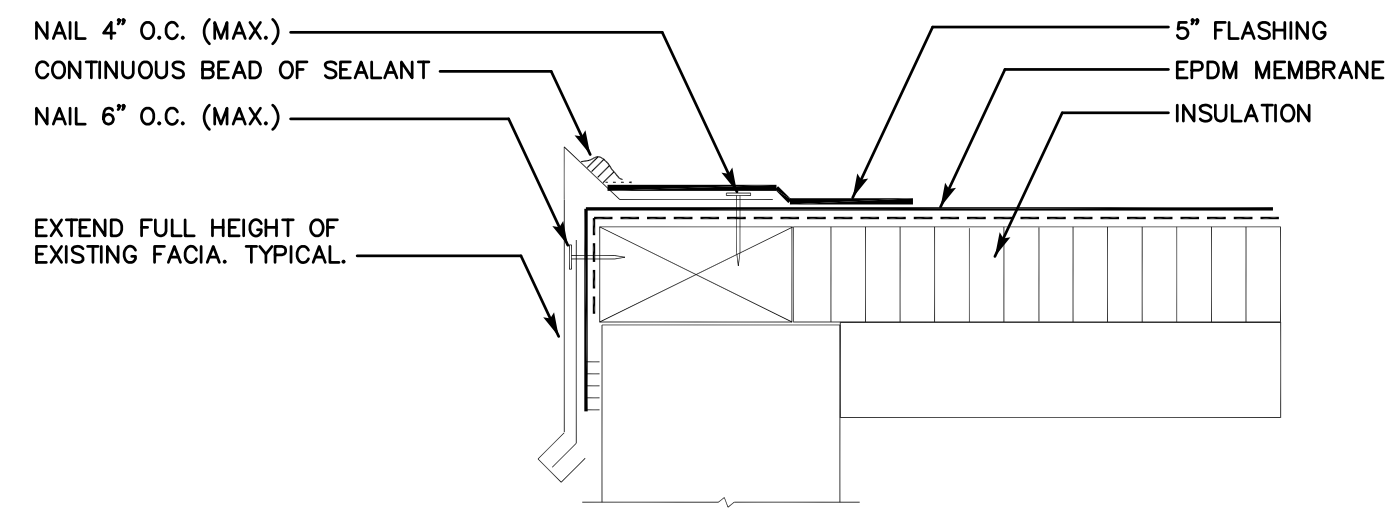
PROJECT TITLE
 CONTRACT DOCUMENTS FOR ROOF REPLACEMENT AT
THE TRUMBULL LIBRARY
 TRUMBULL, CONNECTICUT

DRAWING TITLE
TYPICAL DETAILS

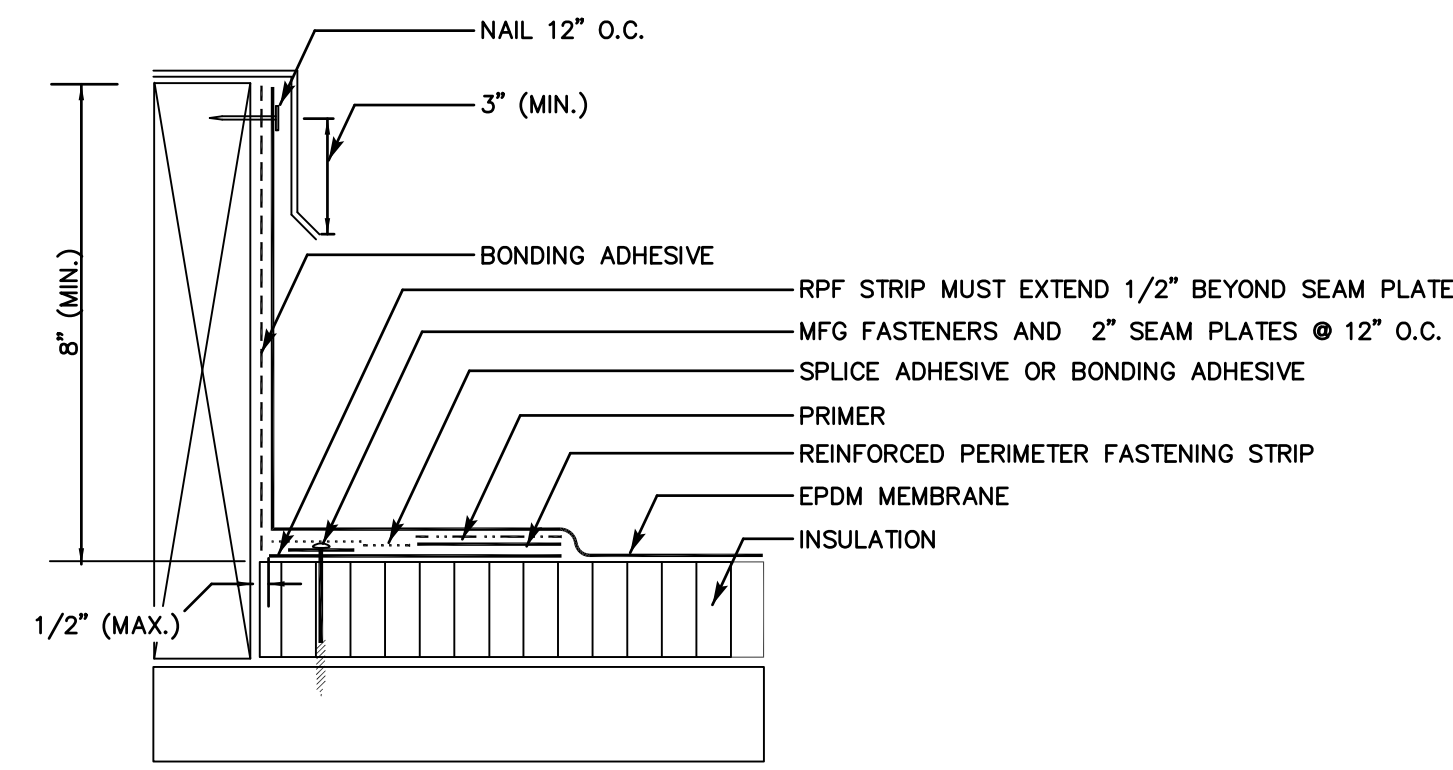
JOB NO.	849 3999.01
PROJECT MANAGER	JAS
ENGINEER/DESIGNER	SJS
DRAWN BY	SJS
SCALE	AS NOTED
DATE	JUNE, 2016
CAD FILE: TRUMBULL_LIBRARY/R-2	

SEAL:

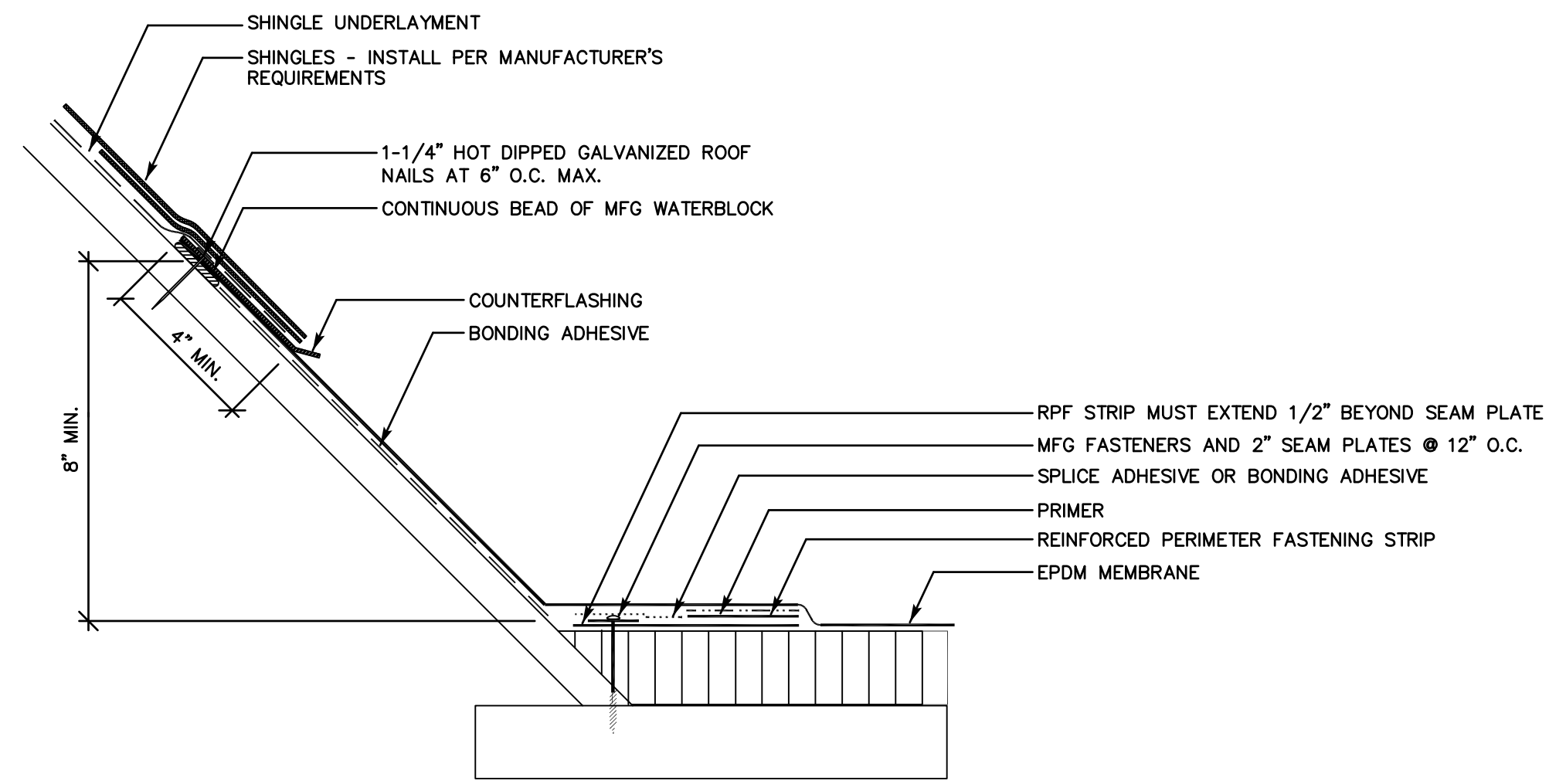
DRAWING NO.
R-2



1 TYPICAL GRAVEL STOP DETAIL
 SCALE: NTS

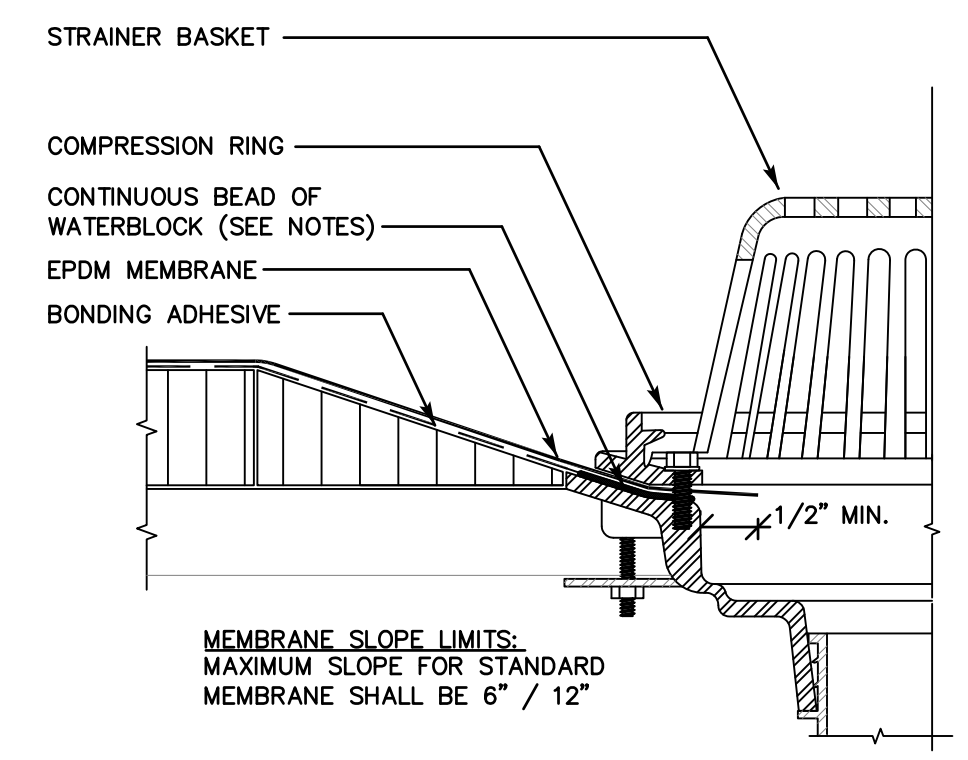


2 TYPICAL CURB FLASHING DETAIL
 SCALE: NTS

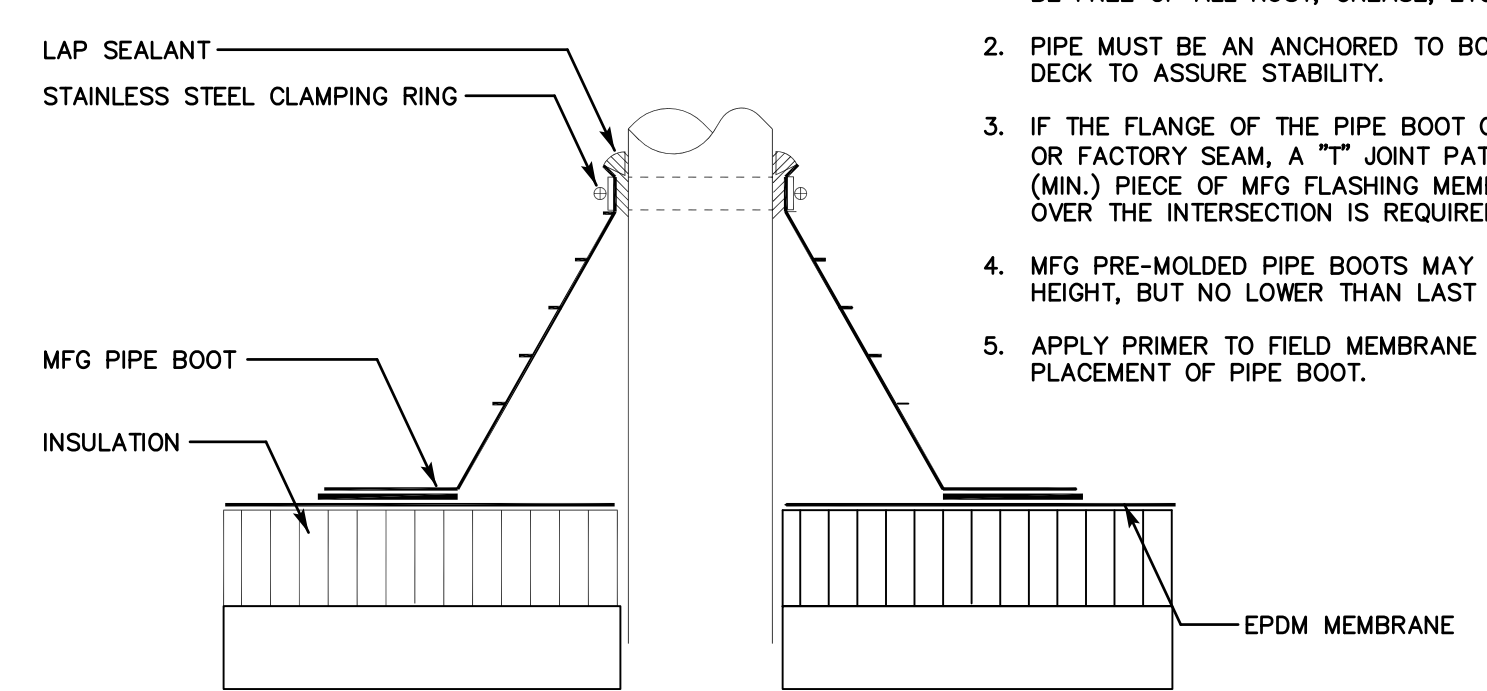


3 TYPICAL SHINGLE TIE-IN DETAIL
 SCALE: NTS

- NOTES:
- HOLE IN MEMBRANE SHOULD EXTEND A MINIMUM OF 1/2" BEYOND CLAMPING RING AND SHOULD NOT BE SMALLER THAN THE DIAMETER OF THE LEADER PIPE.
 - INSULATION ADJACENT TO DRAIN TO BE APPROPRIATE INSULATION WITH APPROPRIATE BONDING SURFACE.
 - WATERBLOCK MIN. OF 1/2 OF 10 OZ TUBE PER 4" DRAIN. USE ADDITIONAL WATERBLOCK FOR LARGER DRAINS.
 - IN REROOF APPLICATIONS: REMOVE EXISTING FLASHINGS DOWN TO METAL BOWL. - REPAIR OR REPLACE BROKEN DRAIN COMPONENTS - DRILL AND TAP BROKEN DRAIN BOLTS AND REPLACE IF NECESSARY.
- SUMP AREA FIELD SEAM REQUIREMENTS:
- IF FIELD SEAM EDGE IS WITHIN 9" OF DRAIN COMPRESSION RING, EPDM TARGET PATCH REQUIRED.
 - IF FIELD SEAM EDGE IS WITHIN 9" TO 18" OF DRAIN COMPRESSION RING, INSTALL A LAYER OF 5" FLASHING CENTERED OVER SEAM EDGE. 5" FLASHING MUST EXTEND 3" MIN. BEYOND EDGE OF SUMP.

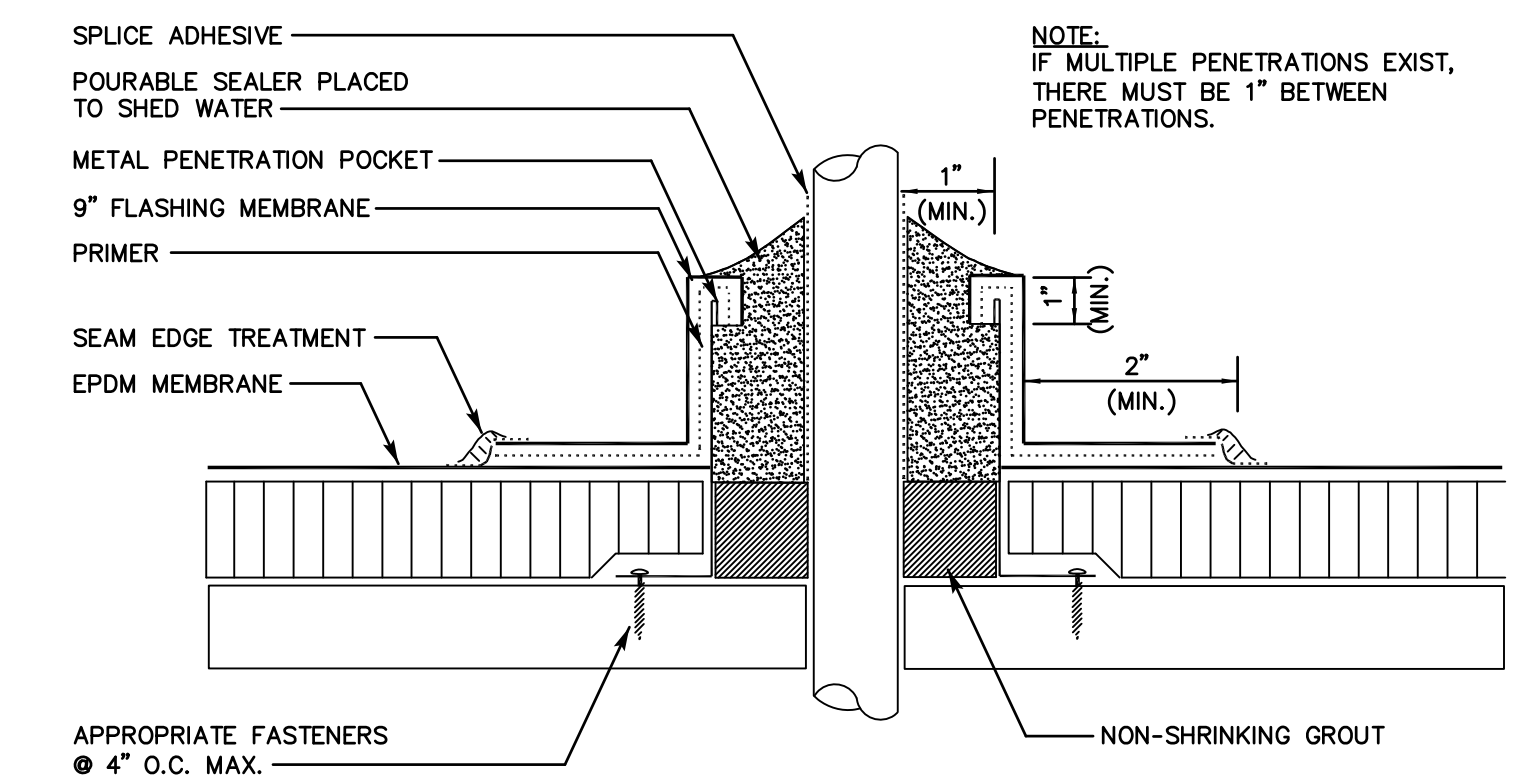


4 TYPICAL ROOF DRAIN DETAIL
 SCALE: NTS

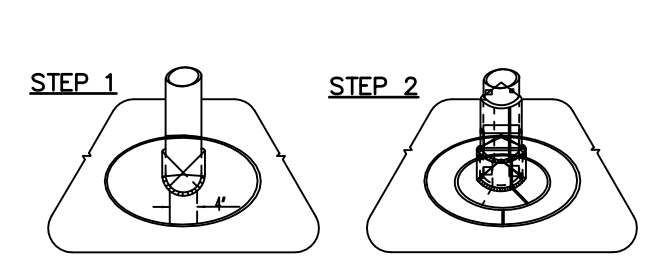


5 TYPICAL PRE-MOLDED PIPE FLASHING DETAIL
 SCALE: NTS

- NOTES:
- REMOVE ALL EXISTING FLASHINGS, PIPE SURFACE MUST BE FREE OF ALL RUST, GREASE, ETC.
 - PIPE MUST BE ANCHORED TO BOTTOM SIDE OF DECK TO ASSURE STABILITY.
 - IF THE FLANGE OF THE PIPE BOOT OVERLAPS A FIELD OR FACTORY SEAM, A "T" JOINT PATCH OR 6" X 6" (MIN.) PIECE OF MFG FLASHING MEMBRANE, CENTERED OVER THE INTERSECTION IS REQUIRED.
 - MFG PRE-MOLDED PIPE BOOTS MAY BE CUT TO HEIGHT, BUT NO LOWER THAN LAST REINFORCING RING.
 - APPLY PRIMER TO FIELD MEMBRANE BEFORE PLACEMENT OF PIPE BOOT.

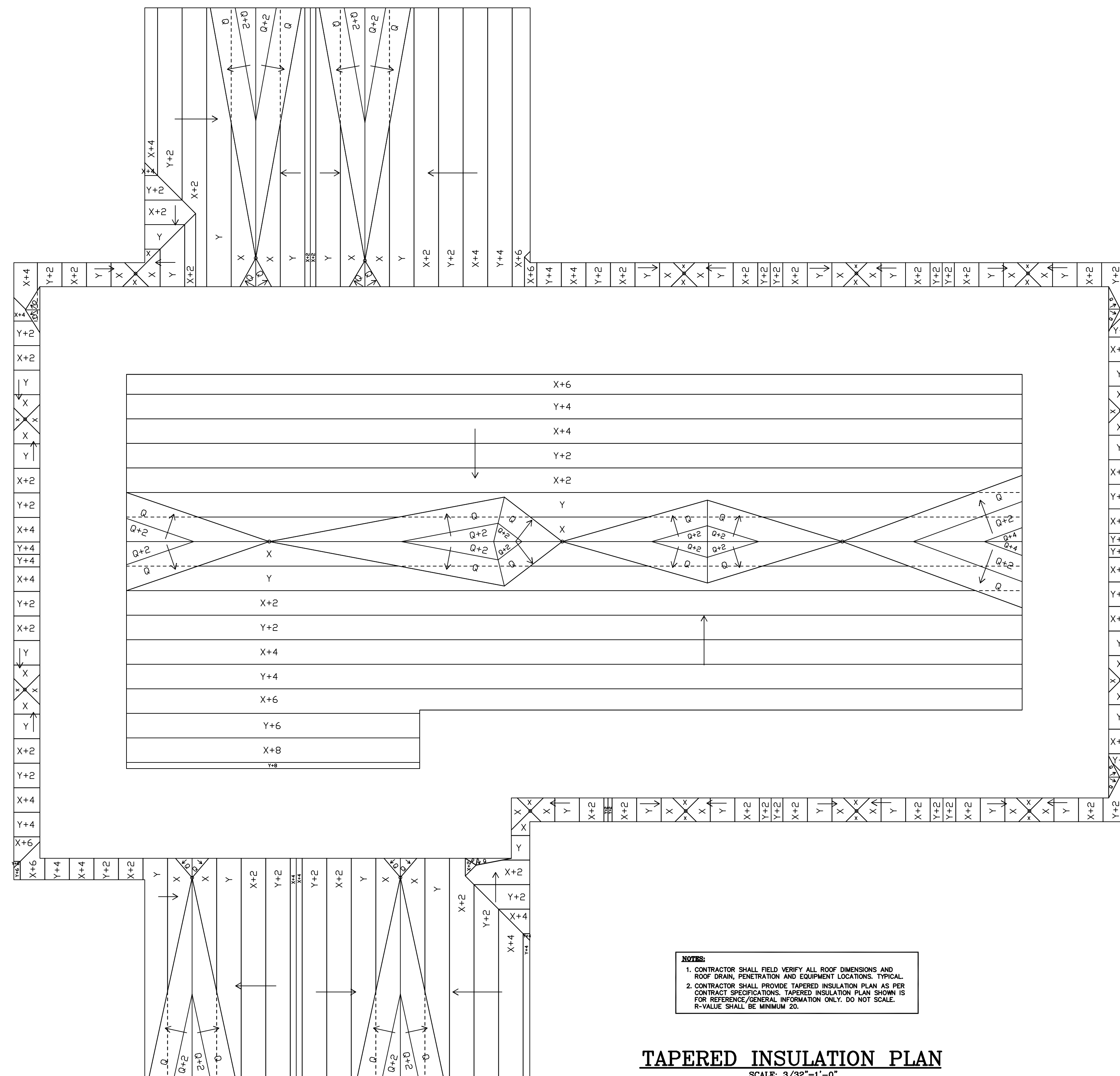


6 TYPICAL PENETRATION POCKET DETAIL
 SCALE: NTS



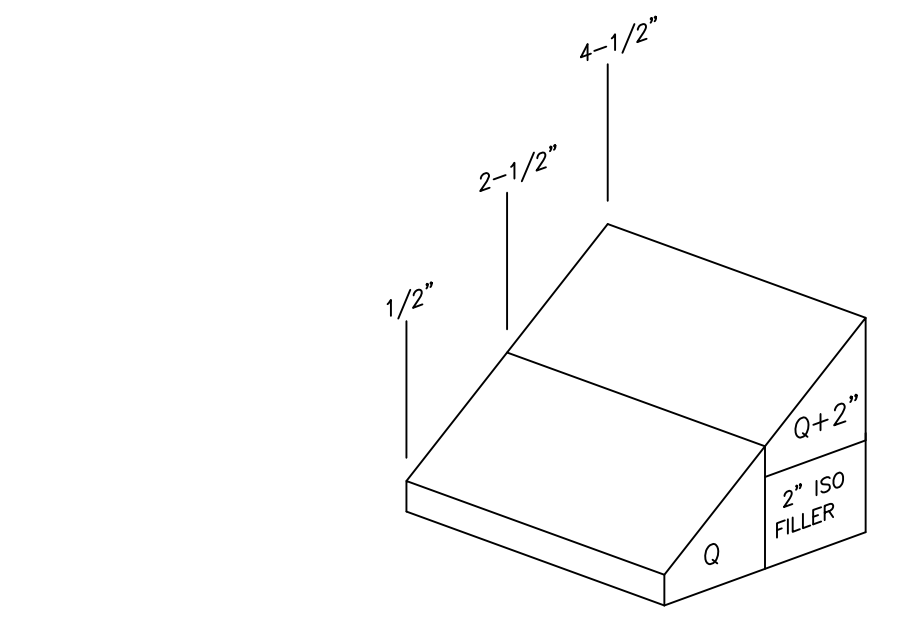
- NOTES:
- REMOVE ALL EXISTING FLASHINGS, LEAD, ETC. PIPE SURFACE MUST BE FREE OF ALL RUST, GREASE, ETC.
 - PIPE MUST BE ANCHORED TO BOTTOM SIDE OF DECK TO ASSURE STABILITY.
 - DO NOT INSTALL CLAMPING RING AROUND TOP OF MEMBRANE FLASHING.
 - WOOD NAILER REQUIRED WHEN OUTSIDE DIAMETER OF THE PIPE EXCEEDS 18"
 - USE THIS DETAIL WHEN THE IN-SERVICE TEMPERATURE OF THE PIPE EXCEEDS 180 F.

7 TYPICAL HOT STACK FLASHING DETAIL
 SCALE: NTS

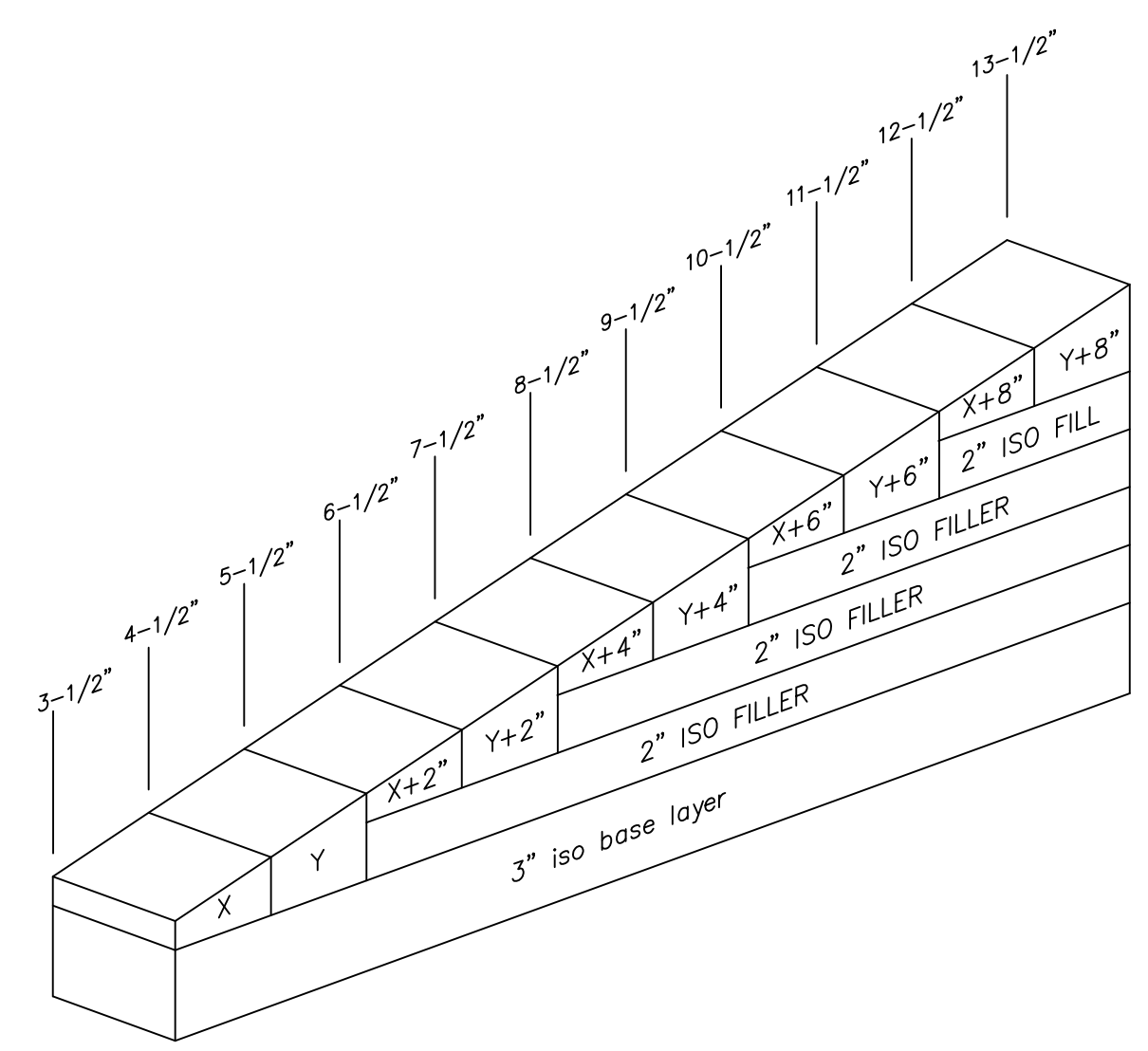


NOTES:
 1. CONTRACTOR SHALL FIELD VERIFY ALL ROOF DIMENSIONS AND ROOF DRAIN, PENETRATION AND EQUIPMENT LOCATIONS. TYPICAL.
 2. CONTRACTOR SHALL PROVIDE TAPERED INSULATION PLAN AS PER CONTRACT SPECIFICATIONS. TAPERED INSULATION PLAN SHOWN IS FOR REFERENCE/GENERAL INFORMATION ONLY. DO NOT SCALE. R-VALUE SHALL BE MINIMUM 20.

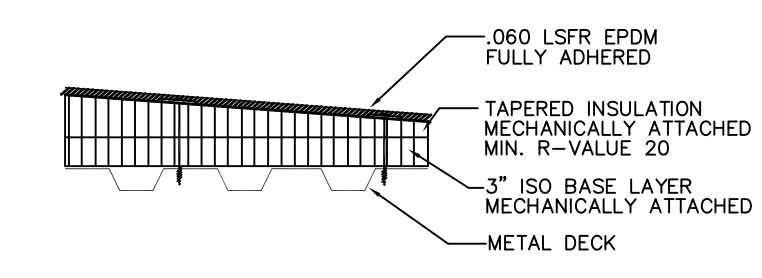
TAPERED INSULATION PLAN
 SCALE: 3/32"=1'-0"



ISO 1/2" PER FOOT - CRICKETS
 NOT TO SCALE 1/2" PER FOOT 4' PANELS



ISO 1/4" PER FOOT
 NOT TO SCALE 1/4" PER FOOT 4' PANELS



SYSTEM ASSEMBLY
 NOT TO SCALE

REVISIONS		
REV.	DESCRIPTION	DATE

CONSULTANT:
SALAMONE & ASSOCIATES, P.C.
 CONSULTING ENGINEERS
 116 North Plains Industrial Road
 Wallingford, Connecticut 06492
 Phone: (203) 281-6896 Fax: (203) 287-8728

DISCLAIMER
 THE INFORMATION INDICATED HERewith IS THE SOLE PROPERTY OF SALAMONE & ASSOCIATES, P.C. AND ANY REPRODUCTION BY ANY METHOD IN PART IS STRICTLY PROHIBITED WITHOUT WRITTEN PERMISSION OF SALAMONE & ASSOCIATES, P.C.

NOTES:

PROJECT TITLE
 CONTRACT DOCUMENTS FOR ROOF REPLACEMENT AT
THE TRUMBULL LIBRARY
 TRUMBULL, CONNECTICUT

DRAWING TITLE
TAPERED INSULATION PLAN

JOB NO.	849 3999.01
PROJECT MANAGER	JAS
ENGINEER/DESIGNER	SJS
DRAWN BY	SJS
SCALE	AS NOTED
DATE	JUNE, 2016
CAD FILE:	TRUMBULL_LIBRARY/R-3

SEAL:

DRAWING NO.
R-3